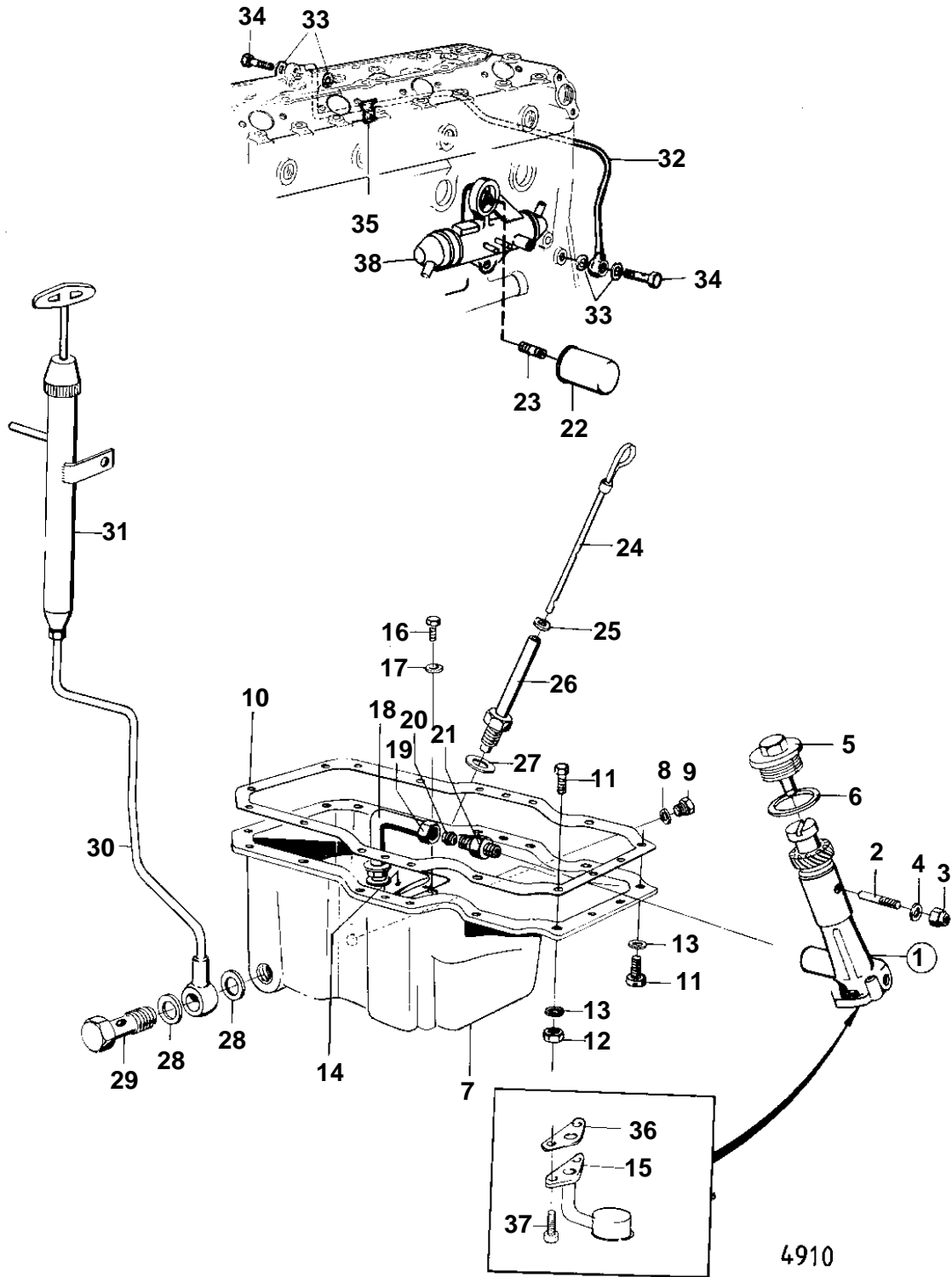


AQD21A, MD21A



## AQD21A, MD21A

REF	PART NO.	QTY	DESCRIPTION	NOTES
1		1	OIL PUMP	FOR ENGINE WITH THE OIL TRAP INSTALLED IN THE CYLINDER BLOCK.
			· COMPONENTS	
	840267	1	Oil pump	MO3119298/XXXX- (829559)
			· COMPONENTS	
2		1	Set screw	
3	941696	1	Cap nut	
4	907132	1	Gasket	
5		1	Plug	
6		1	Set	
7		1	OIL SUMP	FOR BB115 WITH BORG WARNER REVERSE GEAR. MO-3119297/XXXX
		1	OIL SUMP	NOT INCLUDED IN 829999., MO-3127923/XXXX
		1	Sump	MO3127924/XXXX-
8	15301	1	Gasket	MO-3127923/XXXX
	957179	1	Gasket	MO3127924/XXXX-
9		1	Plug	MO-3127923/XXXX
		1	Plug	MO3127924/XXXX-
10	818035	1	Gasket	
11		20	Hexagon screw	
12	818071	2	Nut	
13		20	Washer	
14		1	Oil strainer	MO-3119297/XXXX
15		1	Oil strainer	MO3119298/XXXX-
16	955268	3	Hexagon screw	MO-3119297/XXXX
17	941906	3	Spring washer	MO 3119298/XXXX-
18		1	Oil pipe	MO-3119297/XXXX
19		1	Nut	MO-3119297/XXXX
20		1	Double ferrule	MO-3119297/XXXX
21		1	Connector section	MO-3119297/XXXX
22	418432	1	Oil filter	EARLY TYPE
	829390	1	Oil filter	LATE TYPE
23		1	Nipple	EARLY TYPE
	829160	1	Nipple	LATE TYPE
24		1	Oil dipstick	
25	818061	1	Protecting ring	EARLY TYPE
	945615	1	O-ring	LATE TYPE
26	829182	1	Tube	
27	957178	1	Gasket	
28	957181	2	Gasket	MO-3127923/XXXX
	957179	2	Gasket	MO3127924/XXXX-
29	26013	1	Hollow screw	MO-3127923/XXXX
	941686	1	Hollow screw	MO3127924/XXXX-
30		1	Tube	MO-XXXX/82092
		1	Oil draining pipe	MO-3127923/XXXX
		1	Oil draining pipe	MO3127924/XXXX-
31		1	Oil bilge pump	MO-XXXX/82092
		1	OIL BILGE PUMP KIT	MO XXXX/82093- SEE GROUP 9
32		1	Tube	
33	11992	4	Gasket	
34		2	Screw	
35		1	Hose attachment	
36		1	Gasket	MO3119298/XXXX-
37	955274	2	Hexagon screw	MO3119298/XXXX-
38		1	OIL COOLER AND INSTALLATION COMPONENTS	SEE GROUP 2B